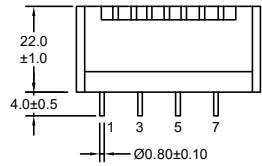


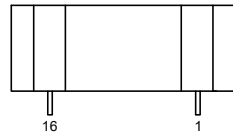
P/N: FAUI301028



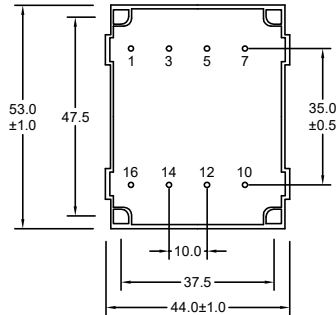
Outline Dimensions(Unit:mm)



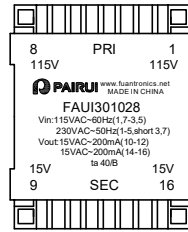
Side View



Front View



Bottom View

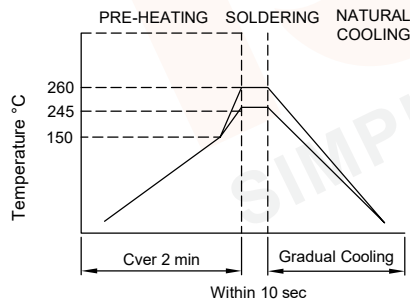


Top View

Note:

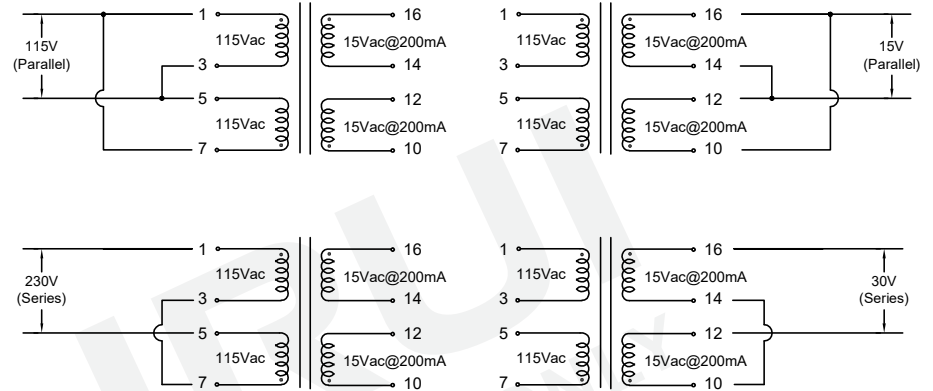
- 1.Remove Pins 2,4,6,8,9,11,13,15.

Wave Soldering



- Note:
- 1.Never Contact the ceramic with the iron tip;
  - 2.1.0mm tip diameter(max).

Electronical Schematic



Electrical Characteristics

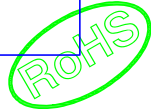
- Input 115Vac 60Hz to (1,7-3,5) or 230Vac 50Hz to (1-5,short 3,7) :
- Excitation current(Ix):25mA Max.
- Output: Vo(10-12)=20.2Vac Typ(No-load).
- Vo(14-16)=20.2Vac Typ(No-load).
- VL(10-12)=15.0Vac±5%(@200mA).
- VL(14-16)=15.0Vac±5%(@200mA).
- Hi-Pot: Pri-Sec:4000VAC/5mA/60Second.

General Properties

- Operating Temperature:-40°C to +40°C.
- Storage Temperature:-25°C to +85°C.
- Insulation Class: B.
- Weight: 0.175kg.

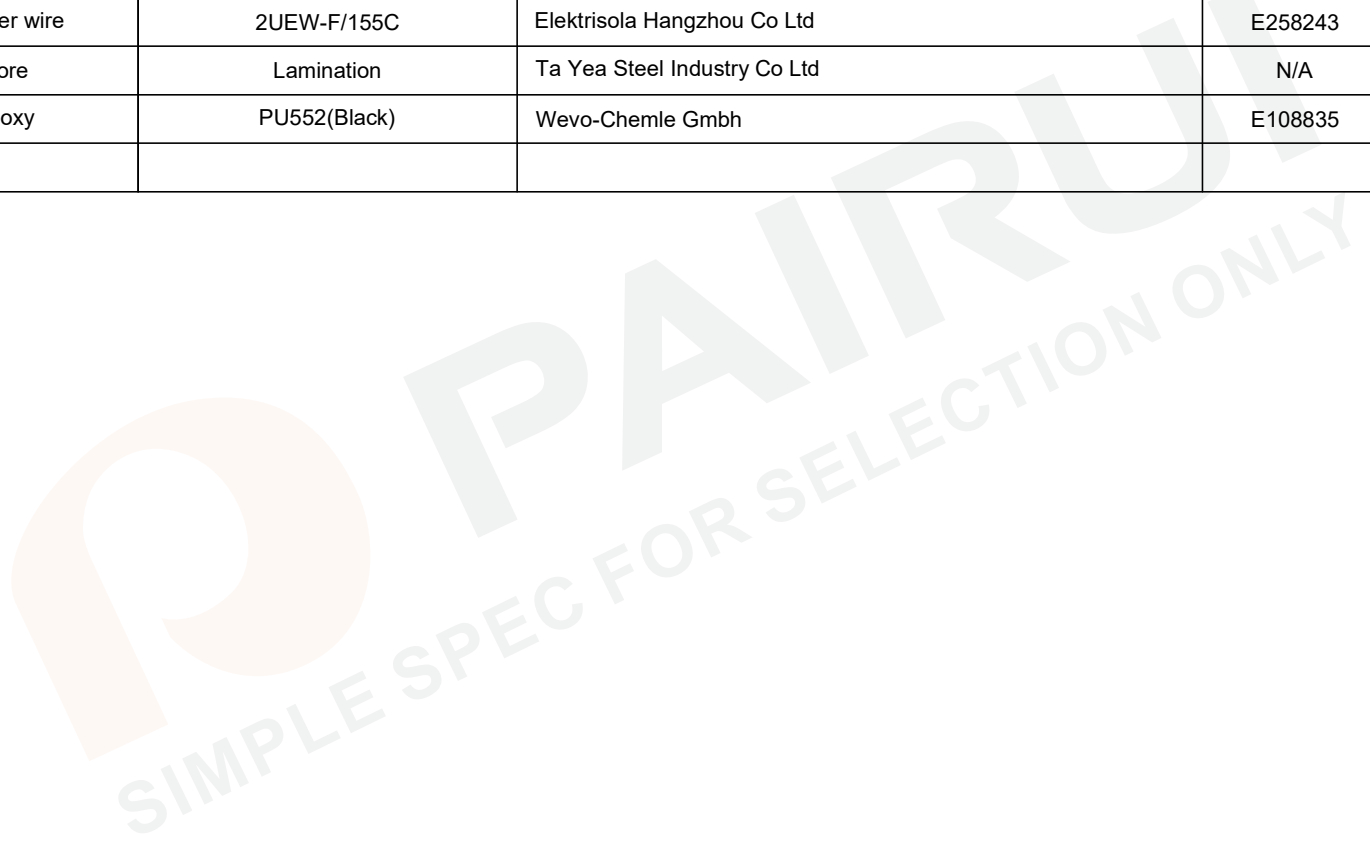
|     |             |      |      |   |  |   |  |   |
|-----|-------------|------|------|---|--|---|--|---|
| REV | DESCRIPTION | APPD | DATE | Tianchang Fuan Electronic Co Ltd<br>www.fuantronics.net<br>TEL: +86-550-7814888<br>FAX: +86-550-7831133 | <br>Tolerances unless otherwise specified:<br>(.X)±0.50 (XX)±0.25<br>Unit of measurement: mm | Make: Qiumei.Liu<br>Checked: Beson. zhan<br>Approved: Anson. zhan | <b>DRAWING TITLE</b><br>6.0W Encapsulated Transformer<br>For UI30*10.5,2*115VAC Input 50/60Hz<br>Material Number: A223010XS1M0 | Customer Name:<br>Document/Rev:<br>Specification Sheet: 1 of 2<br>Date of Recognition: Jan./02/2020 |
|-----|-------------|------|------|---|--|---|--|---|

P/N: FAUI301028



List of UL Certificate:

| No. | Part Name   | Mat'l Description         | Supplier                            | UL Number |
|-----|-------------|---------------------------|-------------------------------------|-----------|
| 1   | Bobbin      | UI30*10.5/PBT(Black)      | Chang Chun Plastics Co Ltd          | E59481    |
| 2   | Case        | CASE-UI30*10.5/PBT(Black) | Zhejiang Juner New Materials Co Ltd | E204321   |
| 3   | Copper wire | 2UEW-F/155C               | Elektrisola Hangzhou Co Ltd         | E258243   |
| 4   | Core        | Lamination                | Ta Yea Steel Industry Co Ltd        | N/A       |
| 5   | Epoxy       | PU552(Black)              | Wevo-Chemle Gmbh                    | E108835   |
| 6   |             |                           |                                     |           |



|     |             |      |      |   |  |                       |   |                               |
|-----|-------------|------|------|---|--|-----------------------|---|-------------------------------|
|     |             |      |      | Tianchang Fuan Electronic Co Ltd<br>www.fuantronics.net<br>TEL: +86-550-7814888<br>FAX: +86-550-7831133 | Tolerances unless otherwise specified:<br>(.X)±0.50 (XX)±0.25<br>Unit of measurement: mm | Make: Qiumei.Liu      | <b>DRAWING TITLE</b><br>6.0W Encapsulated Transformer<br>For UI30*10.5,2*115VAC Input 50/60Hz | Customer Name:                |
|     |             |      |      |   |  | Checked: Beson. zhan  |   | Document/Rev:                 |
| REV | DESCRIPTION | APPD | DATE |   |  | Approved: Anson. zhan |   | Material Number: A223010XS1M0 |